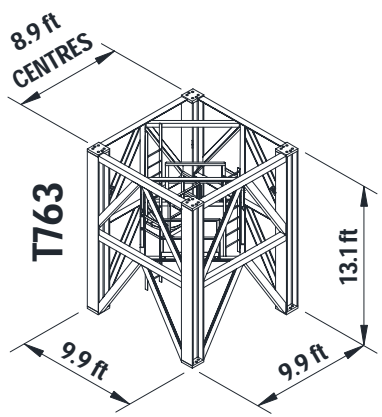


TOWER CRANE M760D SERIES II TECHNICAL DATASHEET



BOOM	LOAD @ RADIUS
120 ft	105.8 ton @ 30 ft 26.5 ton @ 117 ft
135 ft	105.8 ton @ 20 ft 21.9 ton @ 132 ft
150 ft	101.5 ton @ 20 ft 18.9 ton @ 146 ft
165 ft	92.7 ton @ 20 ft 15.5 ton @ 161 ft
180 ft	84.2 ton @ 20 ft 13.2 ton @ 176 ft
195 ft	73.5 ton @ 20 ft 10.6 ton @ 190 ft
210 ft	63.6 ton @ 20 ft 8.9 ton @ 205 ft
225 ft	54.3 ton @ 20 ft 6.4 ton @ 219 ft



www.favellefavco.com

M760D SERIES II MAIN HOIST RADIUS AND CAPACITY (WITH AUXILIARY HOIST)



1-FALL									
Boom Length (feet)		225	210	195	180	165	150	135	120
Min Radius (feet)		20	20	19	17	16	15	14	12
SWL at Min Radius (ton)		35.3	35.3	35.3	35.3	35.3	35.3	35.3	35.3
Radius (ft)	20	Capacity (ton)	35.3	35.3	35.3	35.3	35.3	35.3	35.3
	30		35.3	35.3	35.3	35.3	35.3	35.3	35.3
	40		35.3	35.3	35.3	35.3	35.3	35.3	35.3
	50		33.7	35.3	35.3	35.3	35.3	35.3	35.3
	60		31.0	35.3	35.3	35.3	35.3	35.3	35.3
	70		28.8	33.1	35.3	35.3	35.3	35.3	35.3
	80		27.5	31.7	35.3	35.3	35.3	35.3	35.3
	90		26.3	30.4	34.7	35.3	35.3	35.3	35.3
	100		25.1	29.1	32.1	33.8	34.5	35.3	35.3
	110		23.9	27.8	29.9	30.1	30.6	31.1	31.3
	120		22.8	26.2	26.5	26.8	27.3	27.8	28.0
	130		21.7	23.4	23.7	23.8	24.5	25.0	24.3
	140		20.3	21.0	21.3	21.9	22.1	21.5	-
	150		18.4	18.9	19.3	19.8	20.0	-	-
	160		16.6	17.1	17.5	17.6	16.9	-	-
170	15.0	15.4	15.4	14.8	-	-	-		
180	13.4	14.1	13.1	-	-	-	-		
190	12.1	12.7	10.5	-	-	-	-		
200	10.8	10.6	-	-	-	-	-		
210	9.2	-	-	-	-	-	-		
Max Radius (feet)		219	205	190	175	160	146	130	117
SWL at Max Radius (ton)		7.7	9.6	10.5	11.0	16.9	20.5	24.3	27.9

2-FALL									
Boom Length (feet)		225	210	195	180	165	150	135	120
Min Radius (feet)		20	20	19	17	16	15	14	13
SWL at Min Radius (ton)		52.6	61.1	68.9	70.6	70.5	70.5	70.5	70.5
Radius (ft)	20	Capacity (ton)	52.6	61.1	68.0	70.6	70.5	70.5	70.5
	30		46.8	54.0	61.6	68.4	70.5	70.5	70.5
	40		42.0	48.4	55.1	62.5	70.1	70.5	70.5
	50		38.1	43.8	49.9	56.6	63.9	70.5	70.5
	60		34.7	40.0	46.8	54.5	62.5	65.0	67.8
	70		33.2	39.3	45.9	50.3	56.0	55.2	56.9
	80		32.5	38.5	41.4	43.6	47.8	48.4	48.7
	90		31.8	37.3	36.3	38.3	41.4	42.0	42.3
	100		30.4	33.1	32.1	33.8	36.3	36.9	37.2
	110		28.0	29.6	31.0	30.1	32.1	32.7	33.0
	120		25.1	26.6	27.8	26.8	28.7	29.3	29.6
	130		22.6	23.9	24.9	23.8	25.7	25.7	24.3
	140		20.3	21.5	22.3	22.9	23.2	21.5	-
	150		18.8	19.3	19.9	20.3	20.8	-	-
	160		16.8	17.3	17.7	17.6	16.9	-	-
170	15.0	15.4	15.4	14.8	-	-	-		
180	13.4	14.2	13.1	-	-	-	-		
190	12.1	12.7	10.5	-	-	-	-		
200	10.8	10.6	-	-	-	-	-		
210	9.2	-	-	-	-	-	-		
Max Radius (feet)		219	205	190	176	160	147	130	118
SWL at Max Radius (ton)		7.1	9.4	10.5	13.9	16.9	19.4	24.3	26.7

Note: All charts are for information only and should not be used for lifting purposes. Favelle Favco reserves the right to make specification changes without prior notice.

3-FALL									
Boom Length (feet)		225	210	195	180	165	150	135	120
Min Radius (feet)		20	20	19	17	16	15	14	13
SWL at Min Radius (ton)		54.3	63.6	73.5	84.2	92.7	101.5	105.8	105.8
Radius (ft)	20	54.3	63.6	73.5	84.2	92.7	101.5	105.8	105.8
	30	48.4	56.3	64.6	73.7	83.3	93.9	101.4	105.8
	40	43.4	50.3	57.6	65.7	74.3	83.8	90.5	96.5
	50	39.3	45.4	52.0	59.4	68.5	75.3	84.3	83.1
	60	35.8	42.0	49.5	56.8	63.6	62.6	69.6	70.2
	70	34.6	41.3	45.9	48.4	54.3	53.2	58.3	59.0
	80	33.9	40.5	39.8	42.0	47.1	49.3	49.9	50.5
	90	33.2	35.8	34.9	36.8	41.3	42.9	43.3	43.9
	100	30.0	31.8	30.9	32.6	36.4	37.5	37.9	37.1
	110	26.7	28.4	29.8	28.9	32.2	33.1	32.6	30.5
	120	23.9	25.4	26.7	25.7	28.5	28.9	29.2	-
	130	21.5	22.8	23.9	22.9	25.1	24.9	-	-
	140	19.3	20.5	21.4	22.1	23.0	20.9	-	-
	150	18.0	18.4	19.1	19.5	20.1	-	-	-
	160	16.1	16.5	16.9	16.9	-	-	-	-
170	14.3	14.6	14.7	14.2	-	-	-	-	
180	12.8	13.6	12.5	-	-	-	-	-	
190	11.4	12.1	10.6	-	-	-	-	-	
200	10.3	10.0	-	-	-	-	-	-	
210	8.6	-	-	-	-	-	-	-	
Max Radius (feet)		219	205	190	176	161	146	132	117
SWL at Max Radius (ton)		6.4	8.9	10.6	13.2	15.5	18.9	21.9	26.5

Notes:

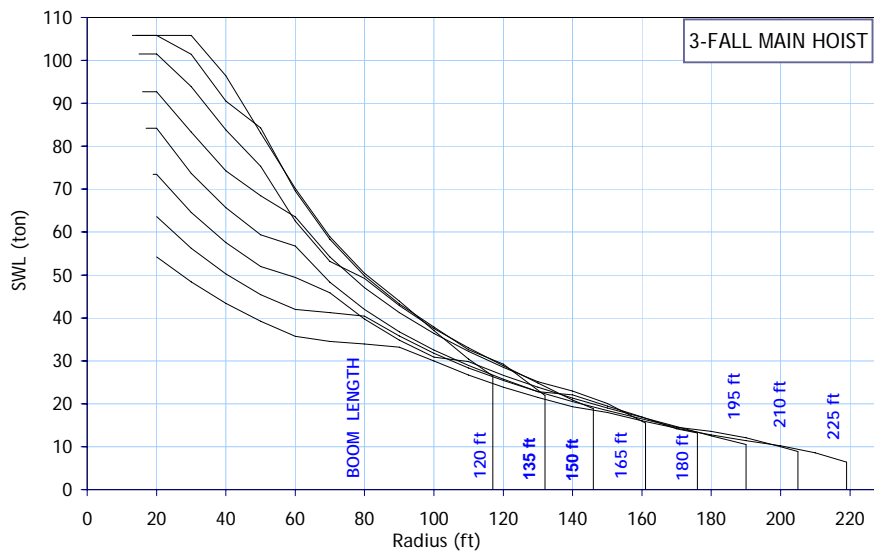
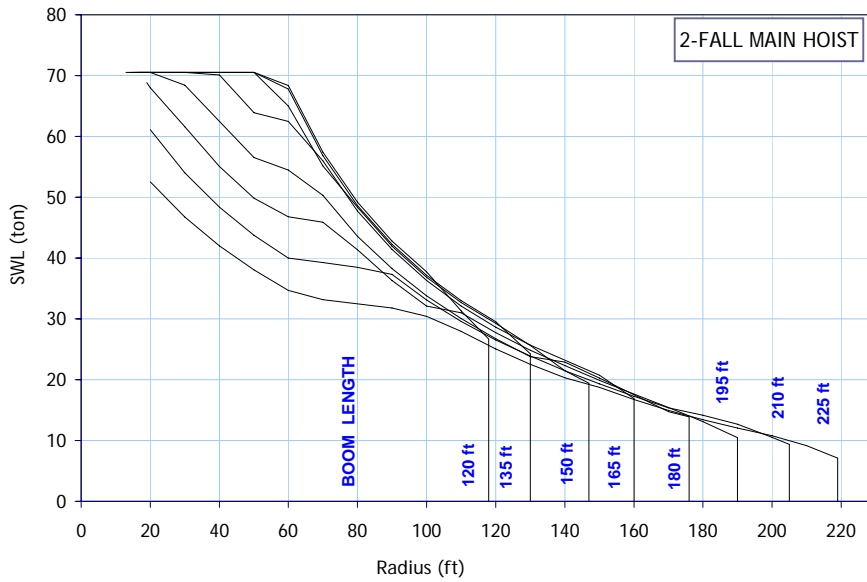
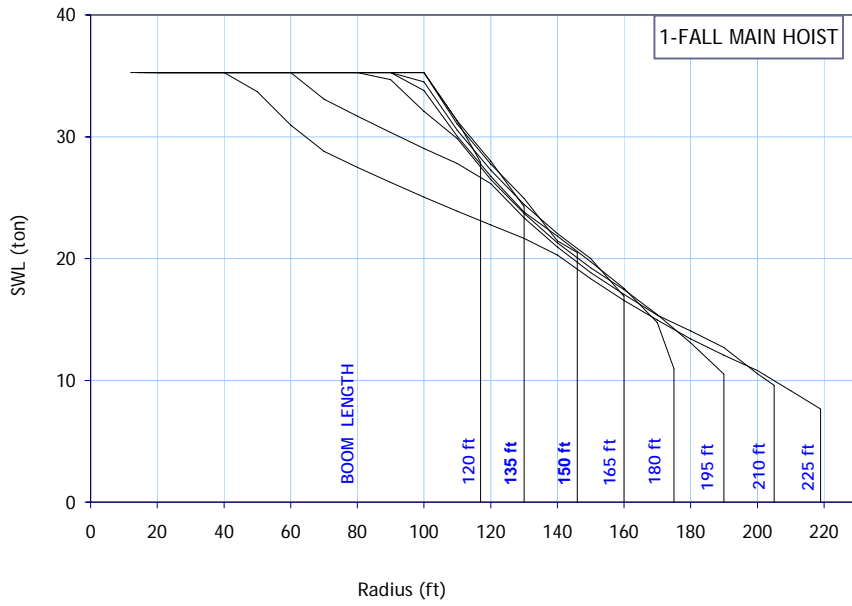
Modified boom tip required for 3 fall configuration.

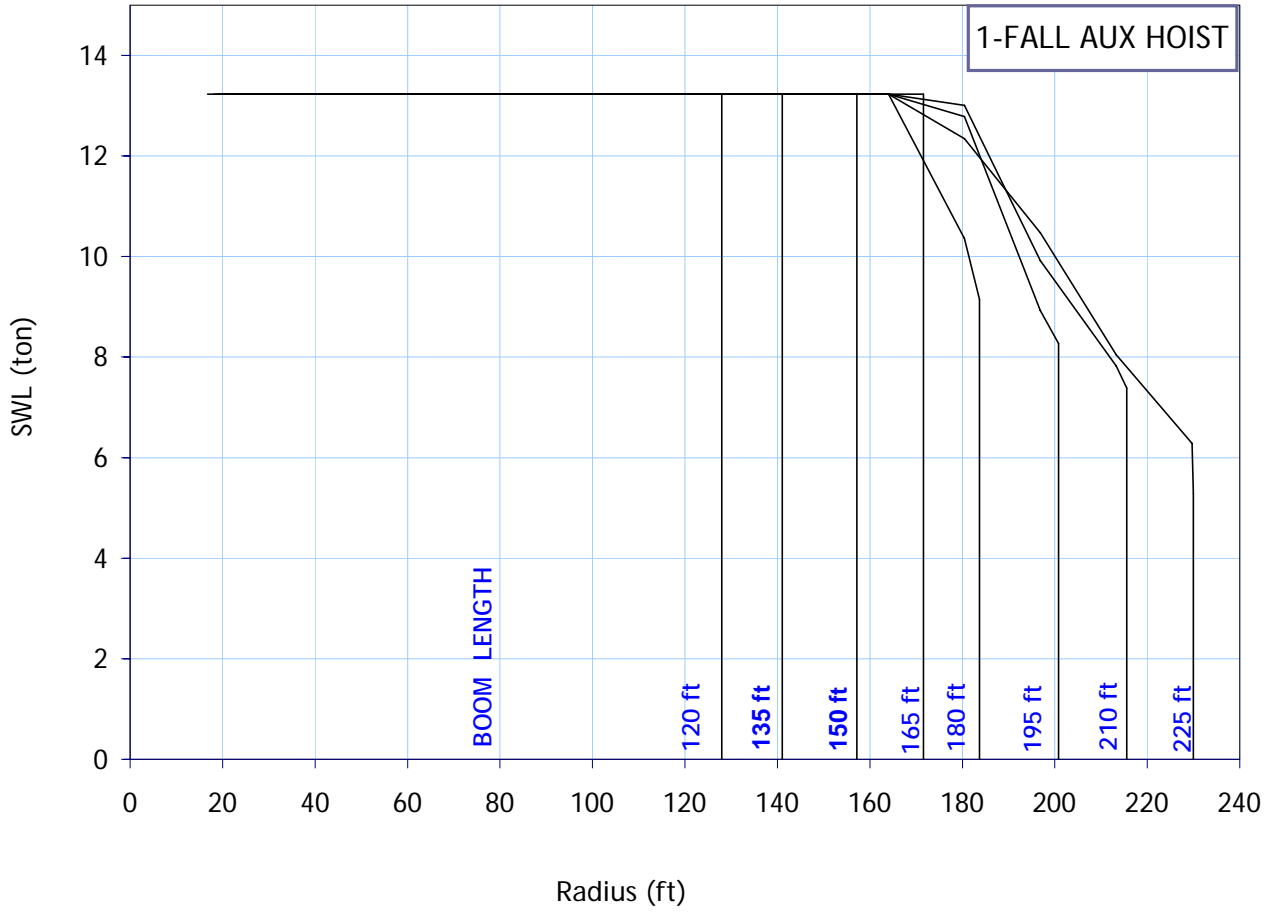
All charts are for information only and should not be used for lifting purposes. Favelle Favco reserves the right to make specification changes without prior notice.

1-FALL									
Boom Length (feet)		225	210	195	180	165	150	135	120
Min Radius (feet)		25	24	23	21	20	19	18	17
SWL at Min Radius (ton)		13.2	13.2	13.2	13.2	13.2	13.2	13.2	13.2
Radius (ft)	30	13.2	13.2	13.2	13.2	13.2	13.2	13.2	13.2
	40	13.2	13.2	13.2	13.2	13.2	13.2	13.2	13.2
	50	13.2	13.2	13.2	13.2	13.2	13.2	13.2	13.2
	60	13.2	13.2	13.2	13.2	13.2	13.2	13.2	13.2
	70	13.2	13.2	13.2	13.2	13.2	13.2	13.2	13.2
	80	13.2	13.2	13.2	13.2	13.2	13.2	13.2	13.2
	90	13.2	13.2	13.2	13.2	13.2	13.2	13.2	13.2
	100	13.2	13.2	13.2	13.2	13.2	13.2	13.2	13.2
	110	13.2	13.2	13.2	13.2	13.2	13.2	13.2	13.2
	120	13.2	13.2	13.2	13.2	13.2	13.2	13.2	13.2
	130	13.2	13.2	13.2	13.2	13.2	13.2	13.2	-
	140	13.2	13.2	13.2	13.2	13.2	13.2	13.2	-
	150	13.2	13.2	13.2	13.2	13.2	13.2	-	-
	160	13.2	13.2	13.2	13.2	13.2	-	-	-
	170	13.2	13.2	13.2	13.2	13.2	-	-	-
180	12.3	13.0	12.8	10.4	-	-	-	-	
190	11.4	11.5	10.9	-	-	-	-	-	
200	10.5	9.9	8.9	-	-	-	-	-	
210	8.0	7.8	-	-	-	-	-	-	
220	6.7	-	-	-	-	-	-	-	
230	5.3	-	-	-	-	-	-	-	
Max Radius (feet)		230	216	201	184	170	157	141	128
SWL at Max Radius (ton)		5.3	7.4	8.3	9.1	13.2	13.2	13.2	13.2

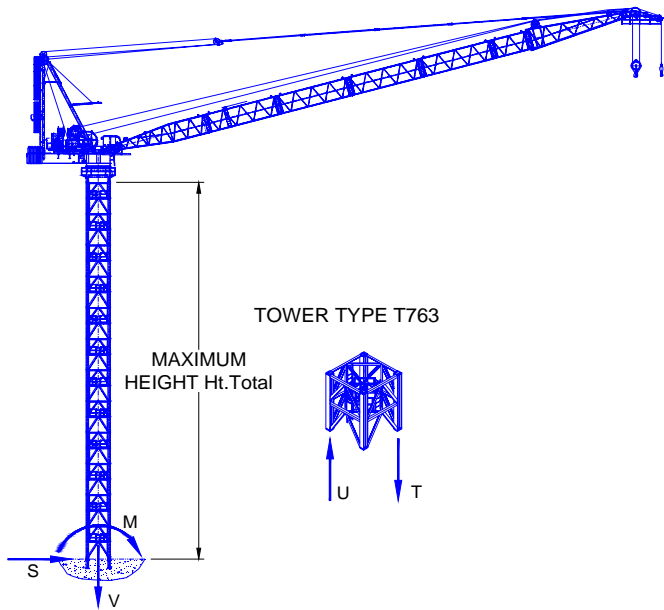
Notes:

All charts are for information only and should not be used for lifting purposes. Favelle Favco reserves the right to make specification changes without prior notice.





M760D SERIES II TYPICAL FOUNDATION & BUILDING REACTION (CRANE REEVED 2-FALLS AT 180 ft BOOM LENGTH)



*:IN SERVICE WIND = 45 mph

†:OUT OF SERVICE WIND = 95 mph

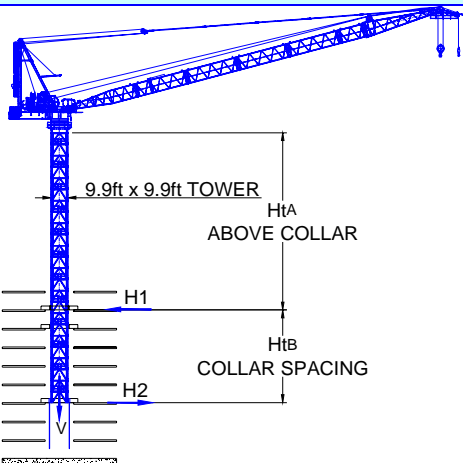
Notes:

- 1 Structure is designed using permissible stress method.
- 2 These loads will vary by change of boom length, height and type of tower, actual site wind conditions, no of falls and change of wind speed.
- 3 To calculate alternative options for M760D Series II refer to Favelle Favco Design Sheet named "Crane Weight Wind Chart".

FREE STANDING BUILDING REACTION

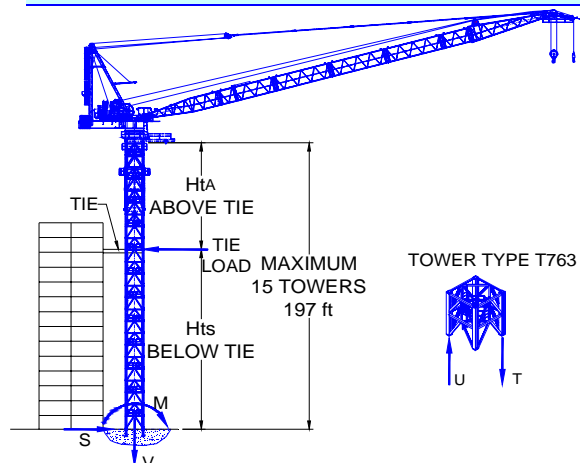
WITHOUT CLIMBING FRAME			
No. of Towers	11		
Design Load	Unit	I/S*	O/S†
M	lb.ft	8,816,953	7,695,848
V	lb	595,247	485,016
S	lb	17,637	79,366
T	lb	742,957	639,340
U	lb	445,333	396,832
Ht _{Total}	ft	144	
WITH EXTERNAL CLIMBING FRAME			
No. of Towers	10		
Design Load	Unit	I/S*	O/S†
M	lb.ft	9,541,210	6,867,921
V	lb	527,546	470,907
S	lb	18,395	75,927
T	lb	893,516	665,960
U	lb	629,743	430,507
Ht _{Total}	ft	131	
WITH INTERNAL CLIMBER			
No. of Towers	11		
Design Load	Unit	I/S*	O/S†
M	lb.ft	9,468,917	6,810,496
V	lb	557,529	500,890
S	lb	16,961	70,130
T	lb	895,241	668,872
U	lb	616,476	418,427
Ht _{Total}	ft	144	

INTERNAL CLIMBER ON COLLARS



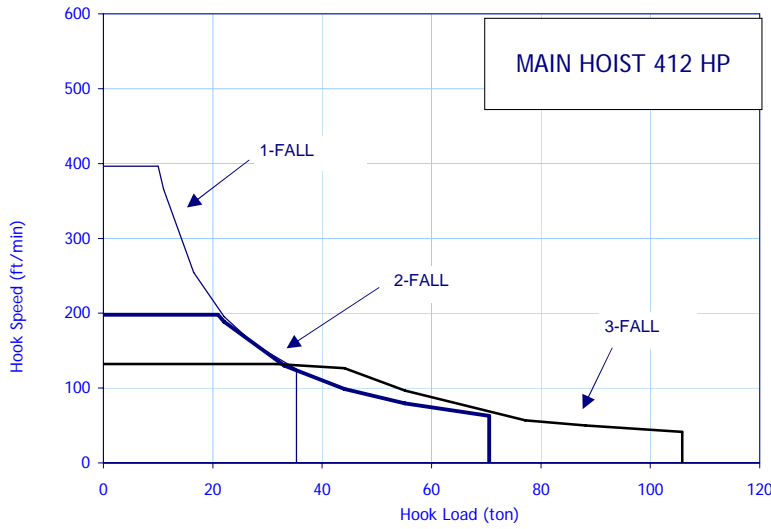
No. of Towers	11		
Design Load	Unit	I/S*	O/S†
V	lb	557,769	500,449
H ₁	lb	248,003	176,484
H ₂	lb	231,132	106,716
Max Ht _A	ft	105	
Min Ht _B	ft	38	
Ht _{Total}	ft	143	

EXTERNAL CLIMBER + ONE TIE

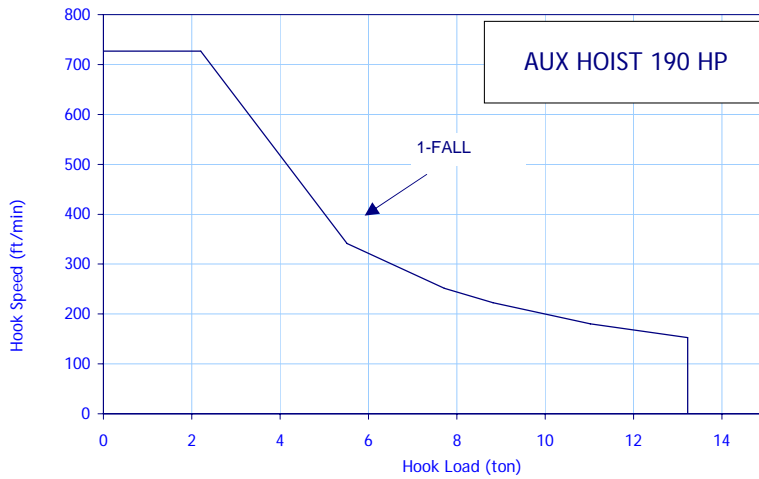


No. of Towers	15		
Design Load	Unit	I/S*	O/S†
TIE	lb	179,553	176,747
M	lb.ft	4,546,611	2,722,499
V	lb	600,298	543,659
S	lb	157,571	86,330
T	lb	513,009	353,239
U	lb	212,860	81,409
Max Ht _A	ft	112	
Max Ht _B	ft	85	
Ht _{Total}	ft	197	

HOIST SPEED

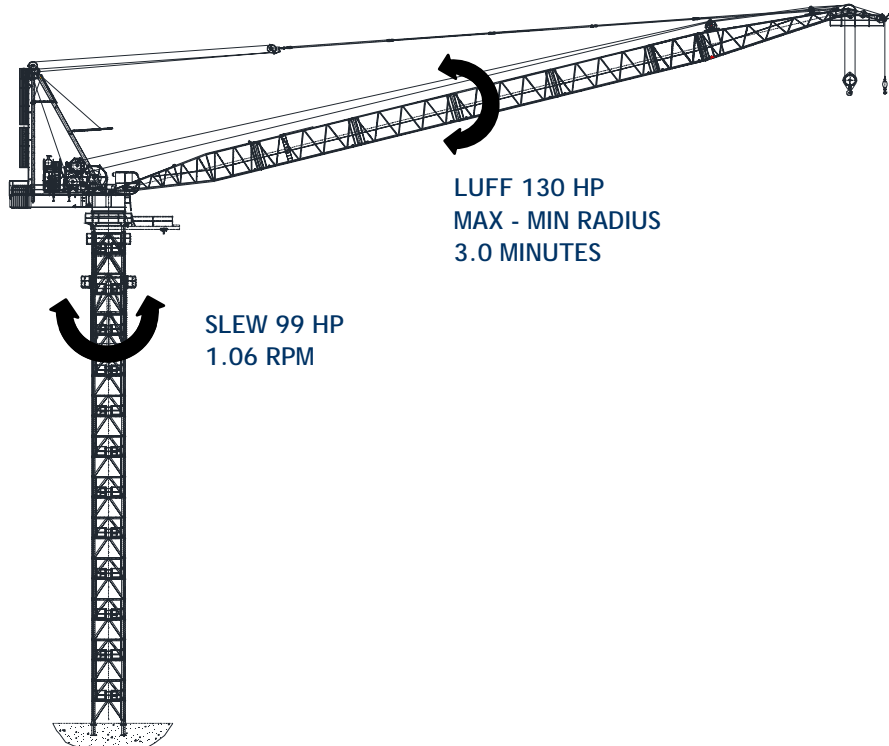


	LOAD (ton)	SPEED (ft/min)
1-FALL	10.0	396
	11.0	365
	16.5	255
	22.0	196
	27.6	158
2-FALL	35.3	125
	20.9	198
	22.0	189
	33.1	130
	44.1	99
3-FALL	55.1	80
	70.5	63
	31.5	132
	44.1	127
	55.1	97
	77.2	57
	88.2	50
	105.8	42



	LOAD (ton)	SPEED (ft/min)
1-FALL	2.2	727
	5.5	342
	7.7	252
	8.8	222
	11.0	180
	13.2	153

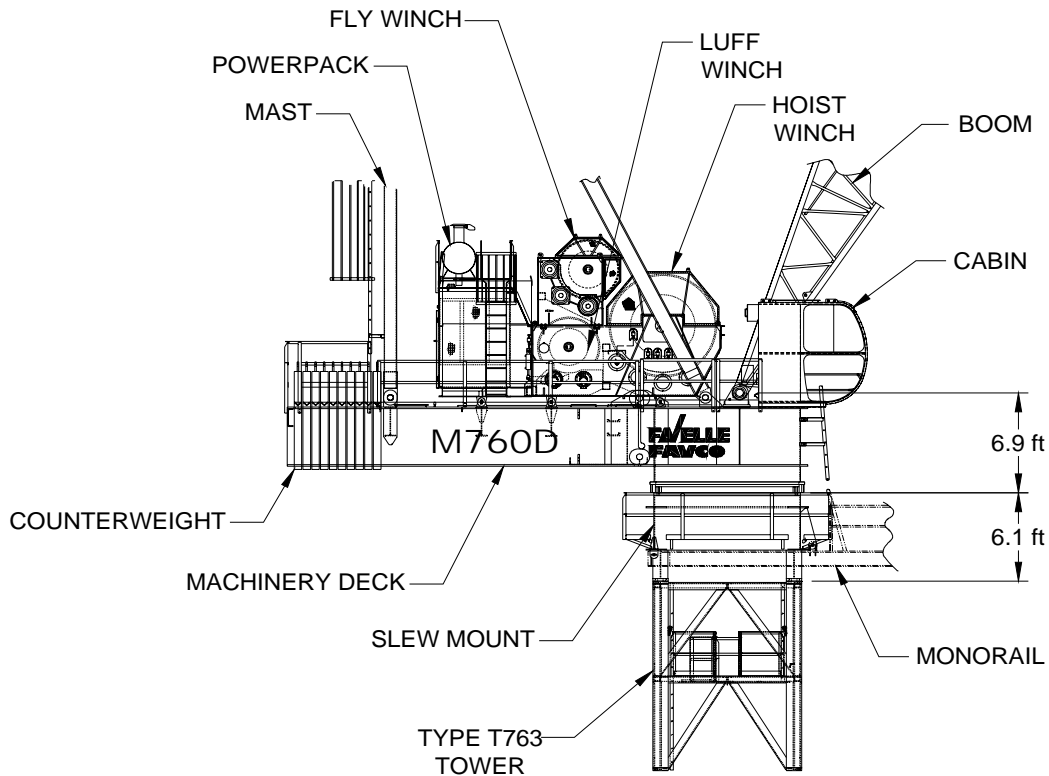
LUFF & SLEW SPEED



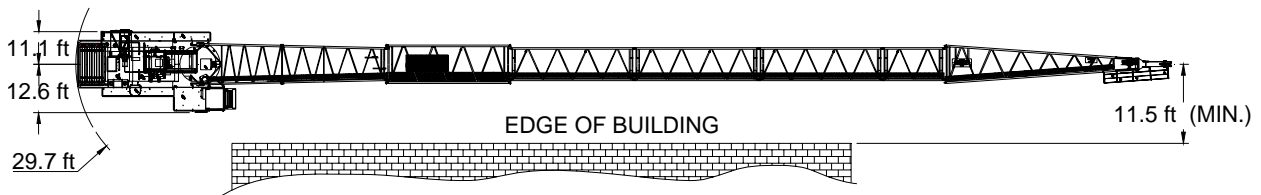
LUFF 130 HP
MAX - MIN RADIUS
3.0 MINUTES

SLEW 99 HP
1.06 RPM

TYPICAL CRANE ASSEMBLY



EXTERNAL CLIMBING INSTALLATION CLEARANCE



OUT OF SERVICE CONFIGURATION

Boom Length (ft)	Minimum weathervaning*	
	Radius (ft)	Angle (°)
225	58	75.3
210	53	75.6
195	48	75.9
180	48	75.0
165	51	72.3
150	55	68.8
135	60	64.2
120	65	57.5

*: Minimum weathervaning position is based on a wind speed of 45 mph.

M760D SERIES II TRANSPORTATION & ERECTION



ITEM	QTY	DESCRIPTION		LENGTH L (feet)	HEIGHT H (feet)	WIDTH W (feet)	WEIGHT PER ITEM (ton)
1	1	SPLIT DECK-FRONT (INCL. SLEW DRIVE, PINS & HANDRAILS)		11.8	6.9	11.1	9.26
2	1	SPLIT DECK-REAR		23.9	5.2	11.1	9.84
3	1	POWERPACK (INCL. 850L OF OIL)		13.1	12.6	6.8	5.56
4	2	MAST FRONT LEG (INCL. MAST HEAD SHEAVES & PIN)		43.7	1.7	3.6	2.76
	2	MAST BACK LEG		39.7	1.4	0.8	1.09
	1	BOOM BUFFER		12.3	0.8	9.8	0.22
MAST ASSEMBLY (INC. SHEAVES, HEAD PIN, LADDERS, BUFFER AND PLATFORMS)							10.81
5	1	CABIN & PLATFORM ASSEMBLY		15.1	7.8	5.4	1.76
6	1	HOIST/LUFF WINCH ASSY (WITHOUT ROPE)		13.2	9.6	8.5	13.12
7	1	FLY WINCH ASSEMBLY (EMPTY DRUM)		5.7	6.4	5.7	4.13
8	1	BOOM BOTTOM (INC. WALKWAY & PINS)		45.6	9.9	9.3	3.23
9	1	BOOM TOP ASSY (WITHOUT FLY) (INC. ACCESSORIES)		49.9	9.3	9.3	5.41
		BOOM TOP ASSY (WITH FLY) (INC. ACCESSORIES)		55.4	9.3	9.3	6.86
10	1	BOOM EXTENSION 30.18 ft		30.6	9.3	9.3	2.71

ITEM	QTY	DESCRIPTION	LENGTH L (feet)	HEIGHT H (feet)	WIDTH W (feet)	WEIGHT PER ITEM (ton)
11	1	BOOM EXTENSION 15.09 ft				
12	1	BRIDLE				
13	1	SLEW MOUNT (INCL. PLATFORMS)				
	1	SLEW RING (INCL. BOLTS)				
14	1	EXTERNAL CLIMBER ASSY				
	2	CLIMBING CYLINDER				
	2	SIDE PANEL				
	2	FRAME TIE				
	2	CLIMBING SUPPORT				
	4	ACCESS PLATFORM				
	1	MONORAIL				
15	1	INTERNAL CLIMBER ASSY				
	1	CLIMBING TOWER				
	2	CYLINDER				
	1	CLIMBING FOOT				
16	10	COUNTERWEIGHT				
17	1	96 TONNE THREE FALL HOOK BLOCK				
	1	16 TONNE SINGLE FALL HOOK BLOCK				
18	1	TOWER SECTION T763				
19	1	HOIST ROPE 42MM (~1-5/8 in, 5.75 lb / ft)				
20	1	FLY ROPE 32MM (3.33 lb / ft)				
21	1	LUFF ROPE 32MM (3.27 lb / ft)				